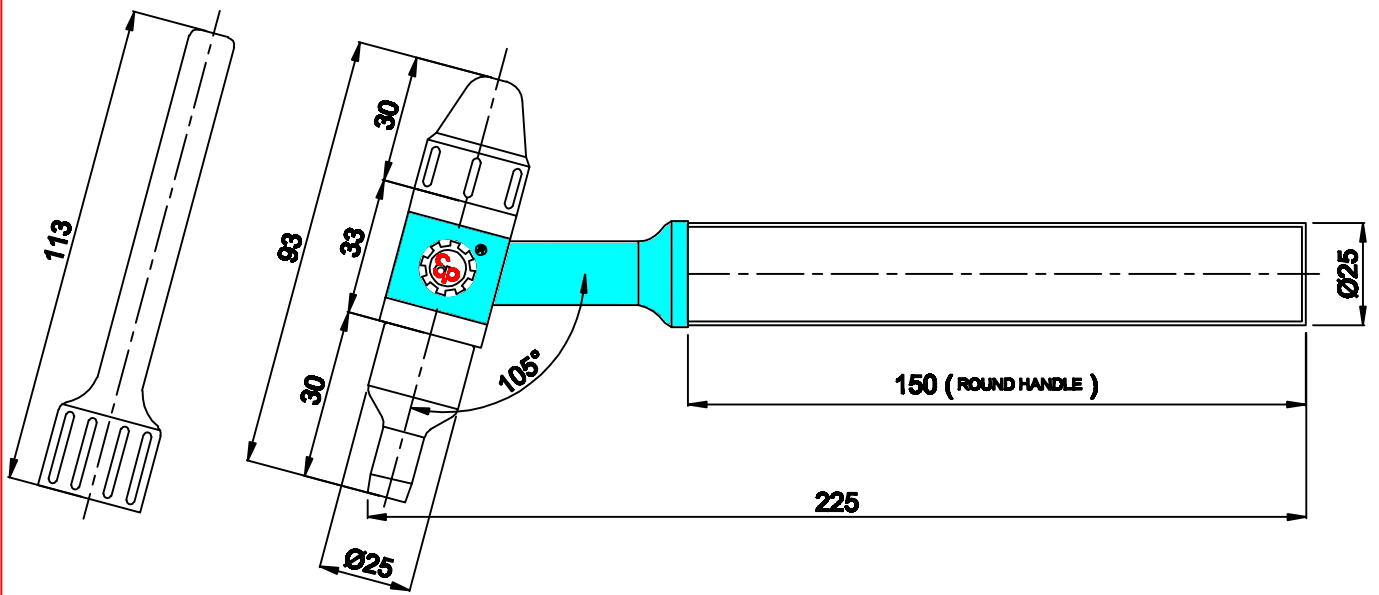
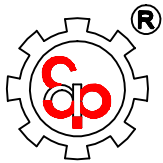


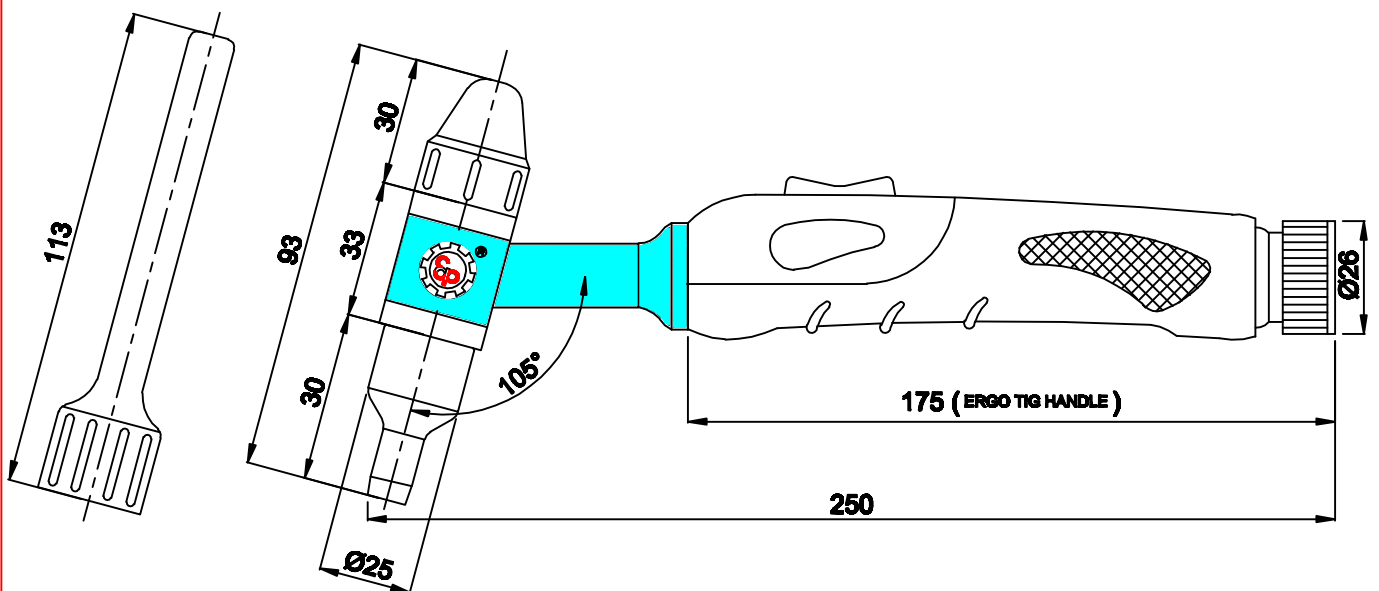
**GC20**



**NOTE : 1) ALL DIMENSIONS ARE IN MM 2) HEAD LENGTH WILL VARY AS PER LENGTH OF ARGON ARC NOZZLE**  
**IN VIEW OF CONTINUOUS DEVELOPMENT , WE RESERVE THE RIGHT TO MODIFY THE DESIGN AND/OR DIMENSIONS WITHOUT NOTICE.**



**GC20**



**NOTE : 1) ALL DIMENSIONS ARE IN MM 2) HEAD LENGTH WILL VARY AS PER LENGTH OF ARGON ARC NOZZLE**  
**IN VIEW OF CONTINUOUS DEVELOPMENT , WE RESERVE THE RIGHT TO MODIFY THE DESIGN AND/OR DIMENSIONS WITHOUT NOTICE.**